

WIRING INSTRUCTIONS

2017-18

Crop Link Lite/Pro

DRIPGARD

OIL DRIP MONITOR

WIRING

Items Covered In This Manual:

Page 1: Crop Link Device Overview

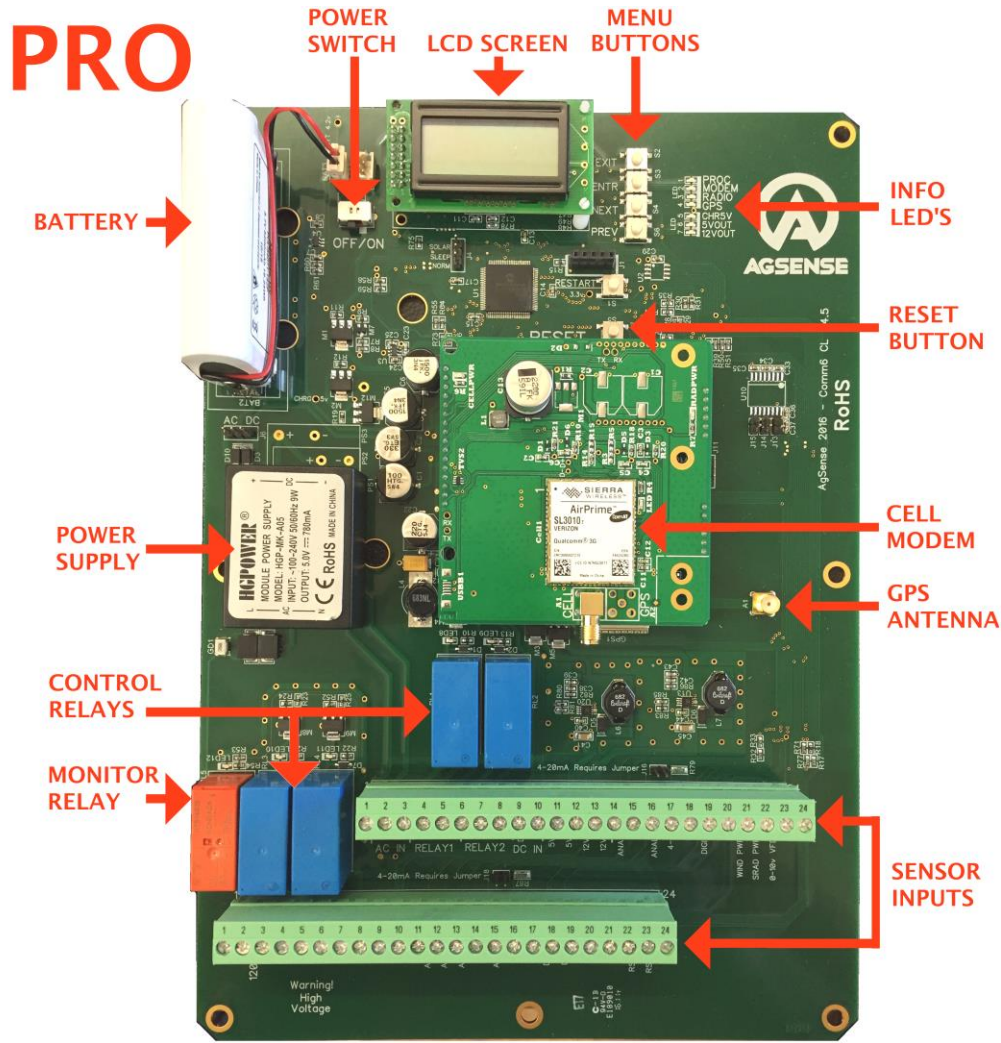
Page 2: Dripgard wiring – CL Lite

Page 3: Dripgard wiring – CL Pro

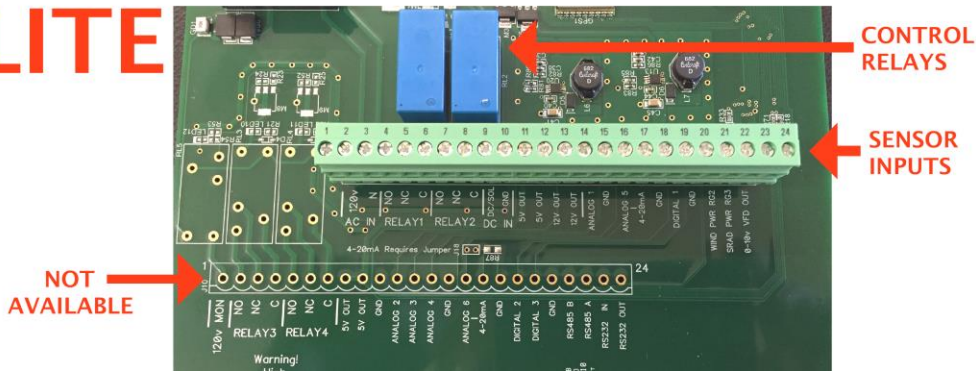
Page 4-5: Specs and Warranty Information

General Overview of the Crop Link Unit

PRO

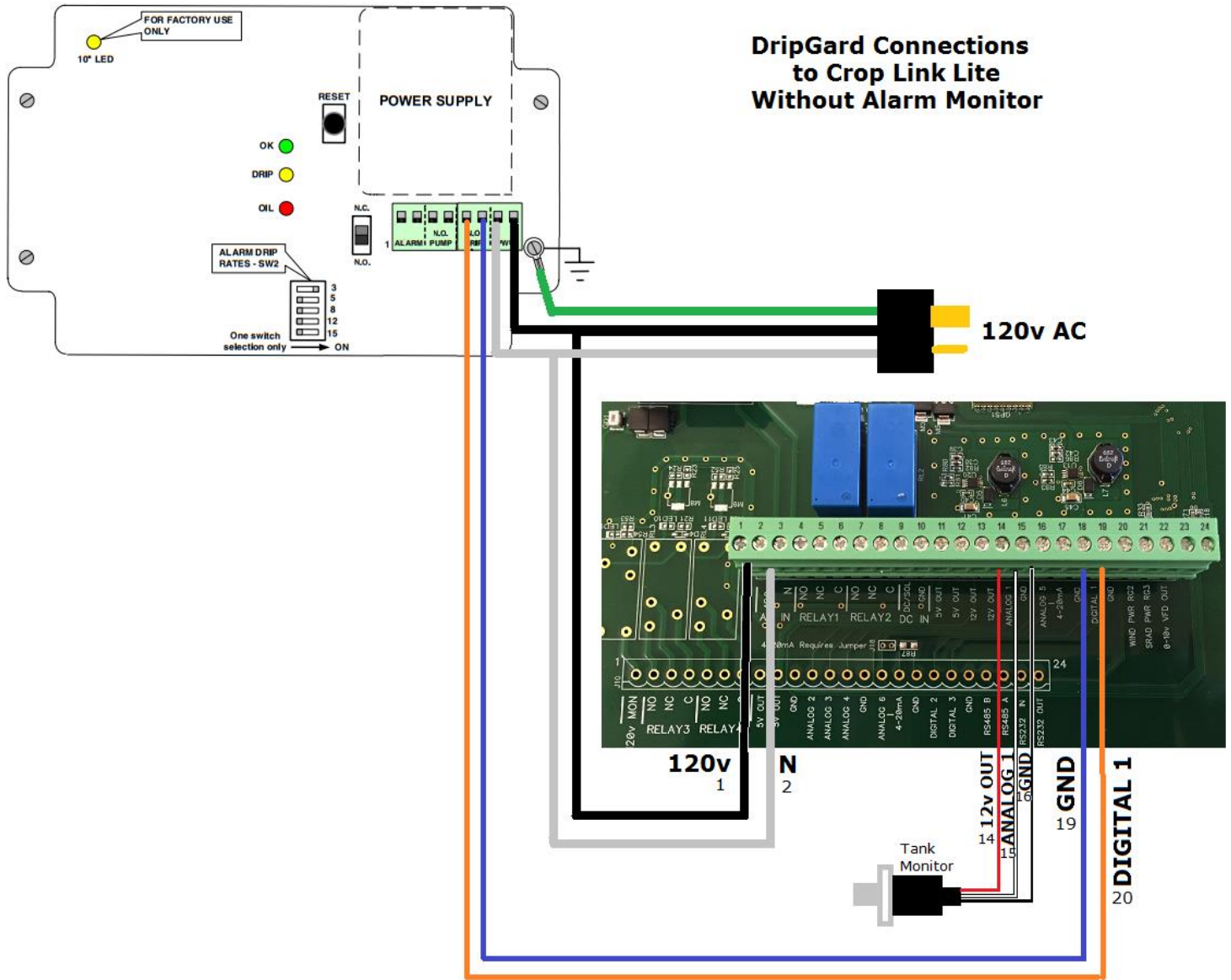


LITE



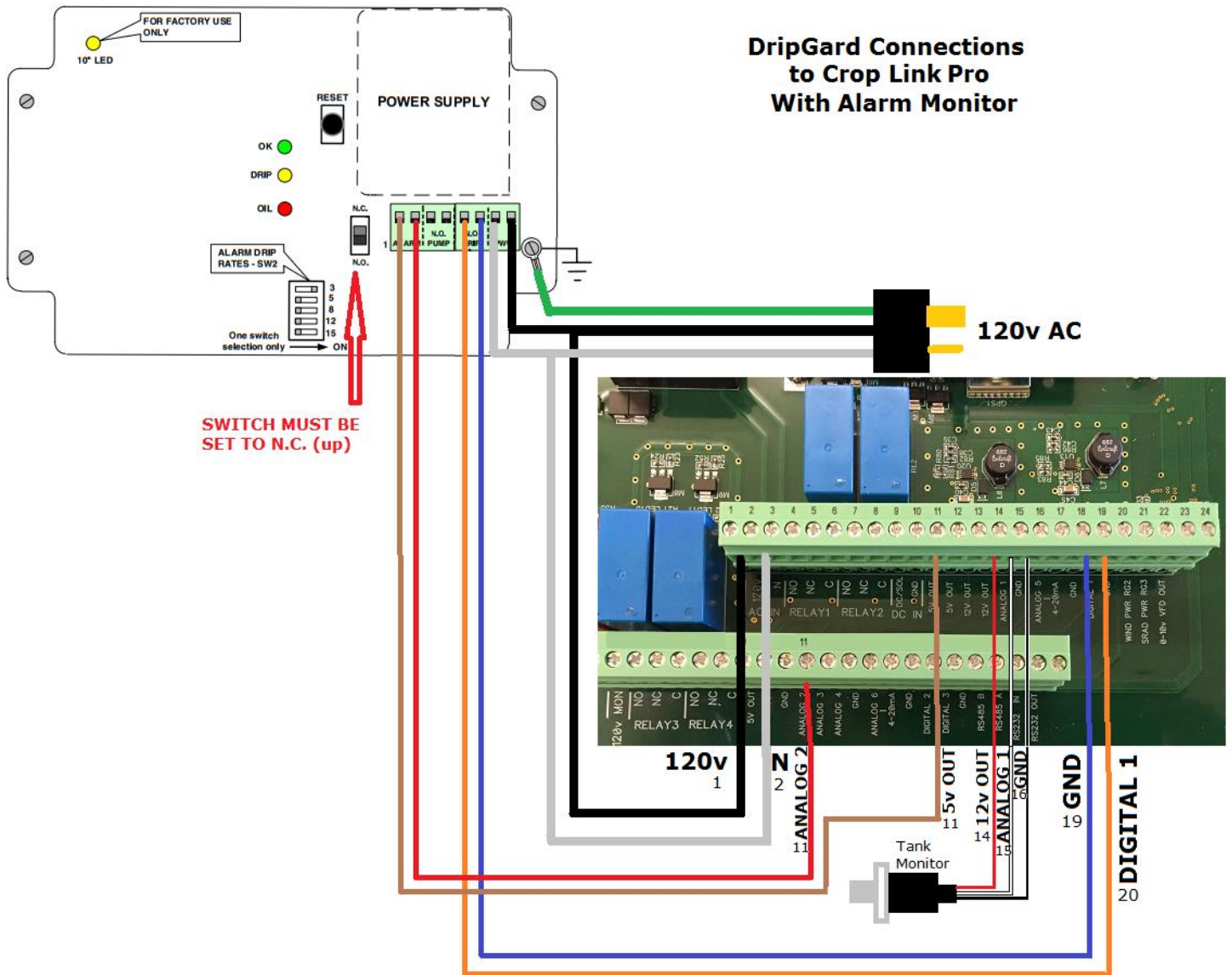
Note: Once all sensors are connected and unit is ready to run, contact your AgSense Dealer to finish setup, and configure this unit to read the sensors that you have installed.

Wiring the Dripgard unit to a CropLink Lite



1. Connect 120v power to the Dripgard AND to the Crop Link unit as shown.
2. Connect a pair of wires to the Dripgard pulse output, and connect them to the Crop Link Digital 1 input and GND as shown above.
3. Optional – Connect an AgSense Tank monitor sensor to 12v, Analog 1, and GND as shown above. Add sensor into a “T” fitting at the output of the drip oil tank.

Wiring the Dripgard unit to a CropLink Pro



1. Connect 120v power to the Dripgard AND to the Crop Link unit as shown.
2. Connect a pair of wires to the Dripgard pulse output, and connect them to the Crop Link Digital 1 input and GND as shown above.
3. Connect a pair of wires to the Dripgard Alarm output, and connect them to the Crop Link 5v Out and Analog 2 terminals as shown above.
4. Optional – Connect an AgSense Tank monitor sensor to 12v, Analog 1, and GND as shown above. Add sensor into a “T” fitting at the output of the drip oil tank.

Power Requirements for the Crop Link unit:

SOLAR/DC Powered Unit 7-34V DC:

At 12v DC: 1.0A MAX

0.1A - 0.5A during normal operation

Recommended Solar panel – Must be a minimum of 10 watt @ 17v Solar panel.

Specs of solar panels that ship from AgSense:

10 watt

Operating Voltage 17v DC

Operating Current 0.59A

Open Circuit Voltage 21.2v DC

Short Circuit Current 0.69A

Warranty Information:

All warranty service provided by the AgSense service center, or an authorized technician.

**Warranty repairs require a Return Merchandise Authorization Number (RMA);
Have your dealer contact AgSense to obtain this RMA number.**

| | |
|---------------------|---|
| For the Period of : | AgSense will: |
| 60 Days | Money back Guarantee if not satisfied with product. |
| 2 Years | Repair on any unit that fails due to defect in materials or workmanship. AgSense labor and parts would be provided free of charge during the warranty period. (This does not include dealer labor.) |

What is not covered:

- Service trips to your home to teach you how to use the product.
- Improper installation, delivery or maintenance. If you have an installation problem contact your dealer or installer.
- Failure of product resulting from modification to product or due to unreasonable failure to provide reasonable and necessary maintenance.
- Labor necessary to move device from one location to another.
- Improper installation of battery.
- Failure due to corrosion or water damage.
 - Units installed in direct contact with sprinklers require a tower box or other watertight protection.
- Damage to the product caused by improper power supply voltage, accident, fire, floods or acts of God.
- Damage caused after delivery.

Exclusion of implied warranties – Your sole and exclusive remedy is product repair as provided in this Limited Warranty. Any implied warranties, including the implied warranties of merchantability or fitness for a particular purpose, are limited to two years or the shortest period allowed by law.

This warranty is extended to the original purchaser and any succeeding owner for the products purchased for use within the USA.

Some states do not allow the exclusion or limitation of incidental or consequential damages. This warranty gives you specific legal rights, and you may also have the other rights which vary from state to state. To know what your legal rights are, consult your local or state consumer affairs office or your state's Attorney General.

DISCLAIMER: The use of Field Commander/Crop Link/Aqua Trac shall not be utilized by customer as a substitute for the Customer's personal observation of the manner in which Customer's irrigation equipment is functioning. AgSense specifically advises Customer that this product is designed to enhance Customer's ability to control existing irrigation equipment and to provide the Customer with additional information about existing irrigation equipment. Field Commander/Crop Link/Aqua Trac relies upon GPS, Satellite and Internet technology which not always functions properly, accordingly, AgSense disclaims any and all responsibility for the reliability of this technology. Customer acknowledges that AgSense does not have the ability to control the reliability of GPS, Satellite and Internet Technology. AgSense specifically disclaims any and all liability for Customer's failure to personally determine whether or not the irrigation equipment that belongs to Customer is functioning properly. AgSense, its agents, members or officers will not be liable for Customer's loss of profits, business interruption, or any other type of consequential damages arising because of the failure to Customer's equipment, GPS, Satellite or Internet to function properly.

CUSTOMER'S RESPONSIBILITIES: Customer agrees to keep the irrigation equipment upon which Field Commander/Crop Link/Aqua Trac is installed in good repair and maintenance. Customer acknowledges the importance of and agrees to keep all safety devices which came with Customer's irrigation equipment in working order. Customer agrees to keep an end field stop and barricades in place to prevent damage to the irrigation equipment in the event that Field Commander/Crop Link/Aqua Trac malfunctions. Customer agrees that Field Commander/Crop Link/Aqua Trac cannot solely replace the personal monitoring of the operation of irrigation equipment.

REMEDY: Customer acknowledges that Field Commander/Crop Link/Aqua Trac's sole obligation and Customer's exclusive remedy in the event of any material and continuing nonconformity, defect, or error in the information service shall be to take reasonable corrective actions upon discovery of the problem.

AgSense, LLC
259 Dakota Ave S
PO Box 53
Huron, SD 57350
605-352-8350
www.AgSense.net