

# **WIRING INSTRUCTIONS**

**2018**

**AgSense Weather Station**

# General Overview

## AgSense Weather Station



**The AgSense Weather Station contains 2 main parts:**

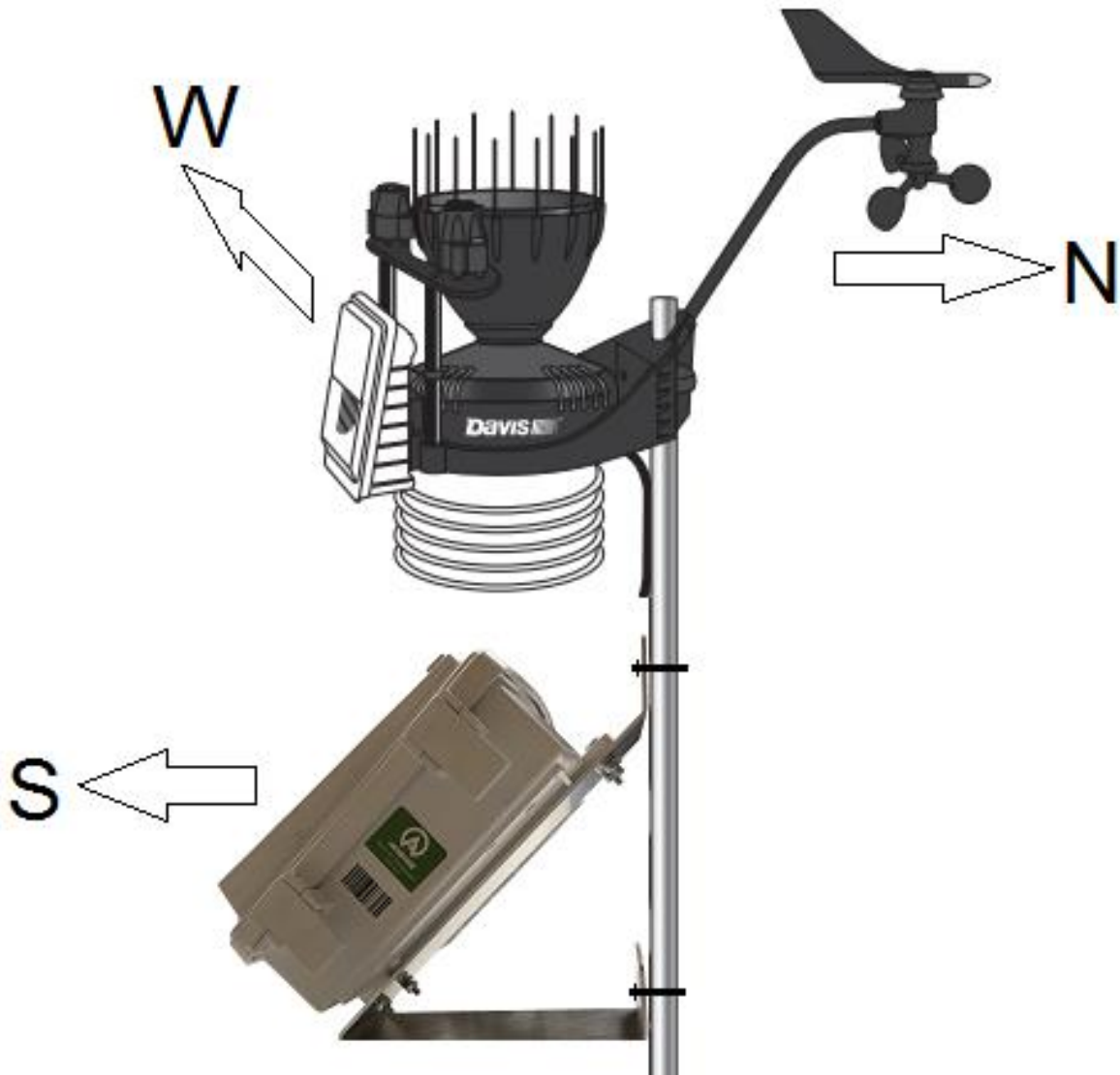
1. The Davis ISS Integrated Suite of Sensors (main part of the weather station)
2. The Solar Panel enclosure with built-in AgSense Unit.

**You must mount the solar panel enclosure to the bracket as shown – this bracket is needed to tilt the solar panel to collect enough sunlight to charge the battery.**



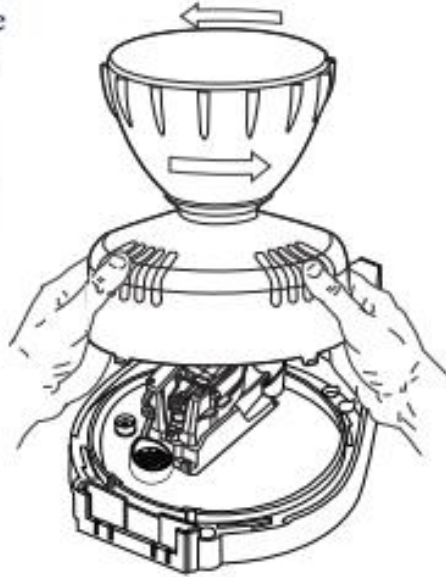
**Please follow the directions in the Davis Weather Station Manual for wind sensor mounting and connections before proceeding.**

**Rain Bucket must be carefully mounted very level!!  
Anemometer stem must be mounted facing North.  
Rain Bucket assy must be mounted facing West so it does  
not cast any shadows on the solar panel.**



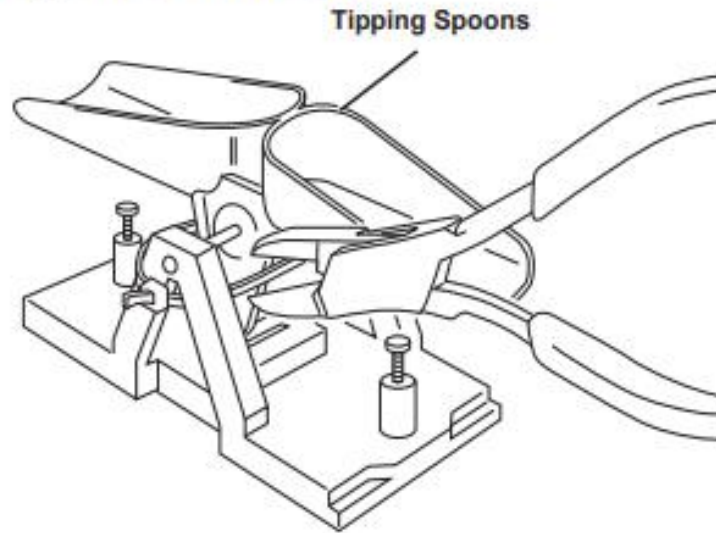
**Solar panel must be mounted facing the strongest sunlight  
(typically South in North America for example). Also make  
sure the solar panel is mounted far enough below the sensor  
assy so it does not cast a shadow on the solar panel!**

Remove the rain collector cone from the ISS base by rotating the cone counter-clockwise. When the cone's latches line up with openings in the base, lift the cone off the ISS base.



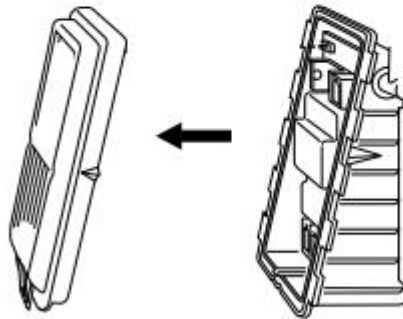
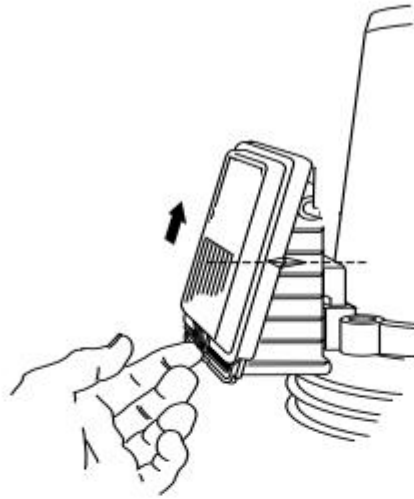
Twist off the rain collector cone

Carefully cut and remove the plastic tie that holds the tipping spoons in place during shipping (usually yellow or white in color).

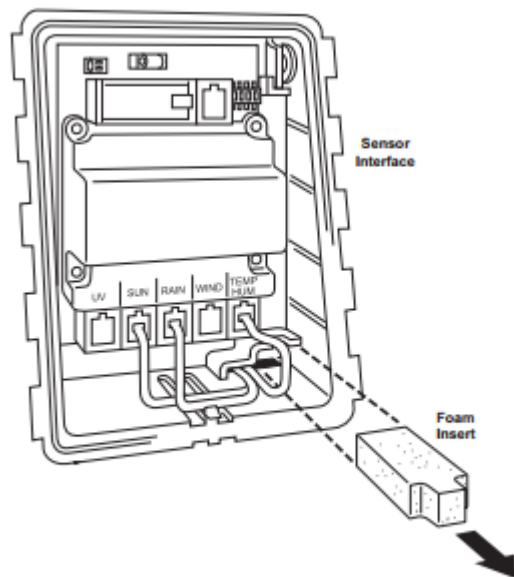


Cut the plastic tie

Remove the lid from the weather station:



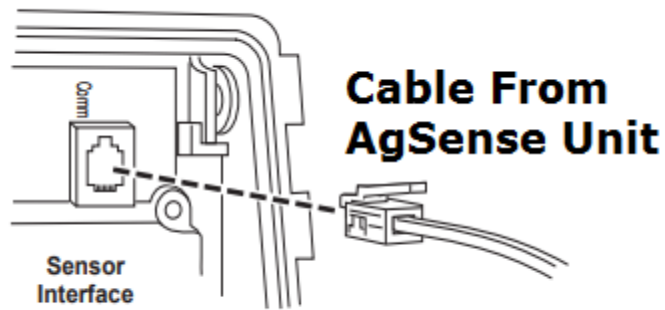
Temporarily remove the foam insert from the Weather Station enclosure.



Locate the large roll of communication wire that came with the Weather Station



Install this communication wire through the bottom of the enclosure and into the Weather Station Comm/Console port as shown, also install the cable from the Anemometer into the Wind port, then reinstall the foam insert.

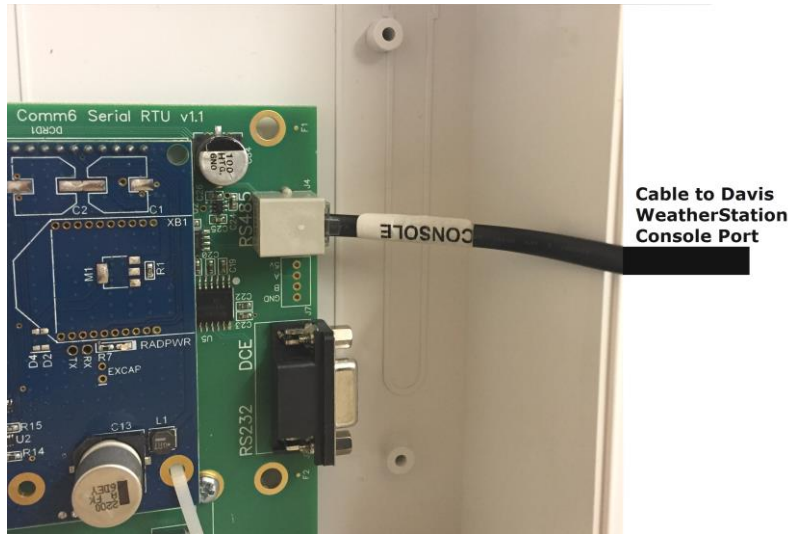


Next, open the Solar Panel/AgSense Unit enclosure.



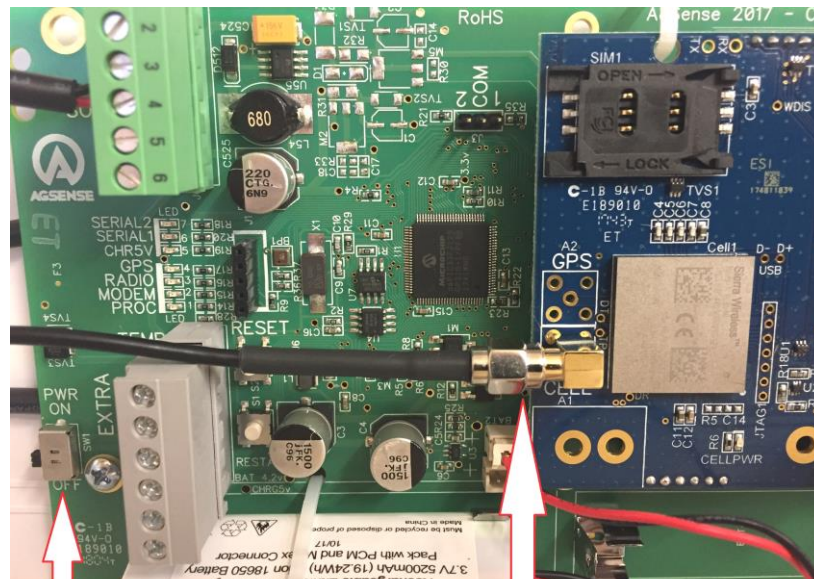
Using the supplied rubber grommet, install the communication cable from the weather station through the right hole in the bottom of the enclosure, and connect it to the board as shown.





Cable to Davis WeatherStation Console Port

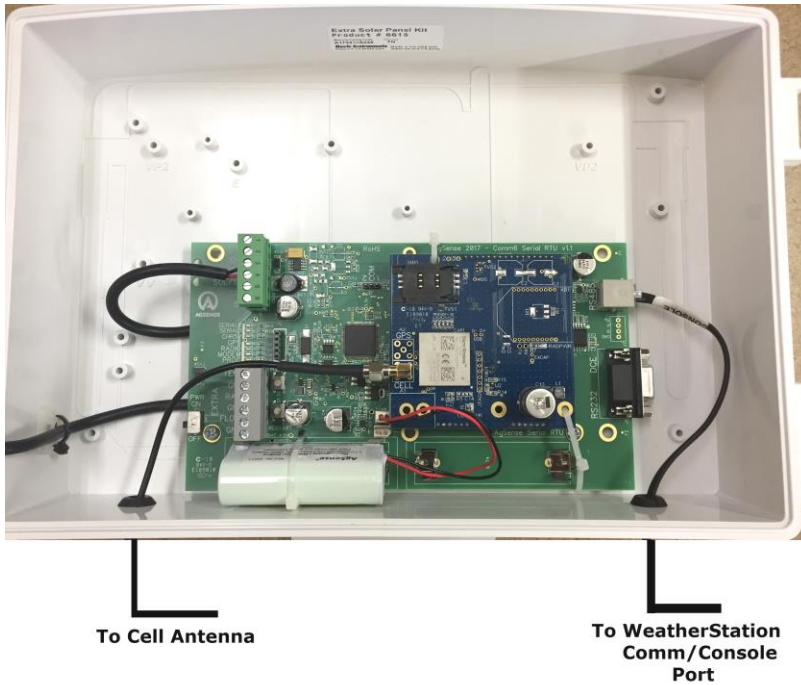
Using the supplied rubber grommet, install the cellular antenna through the left hole in the bottom of the enclosure, and connect the antenna to the board as shown, and turn the power switch on.



Turn Power Switch On

Install Cell Antenna Cable

Wiring of the Weather Station is now complete, and should look as shown:



Next, using the 3 screws supplied, attach the antenna mounting plate to the weather station



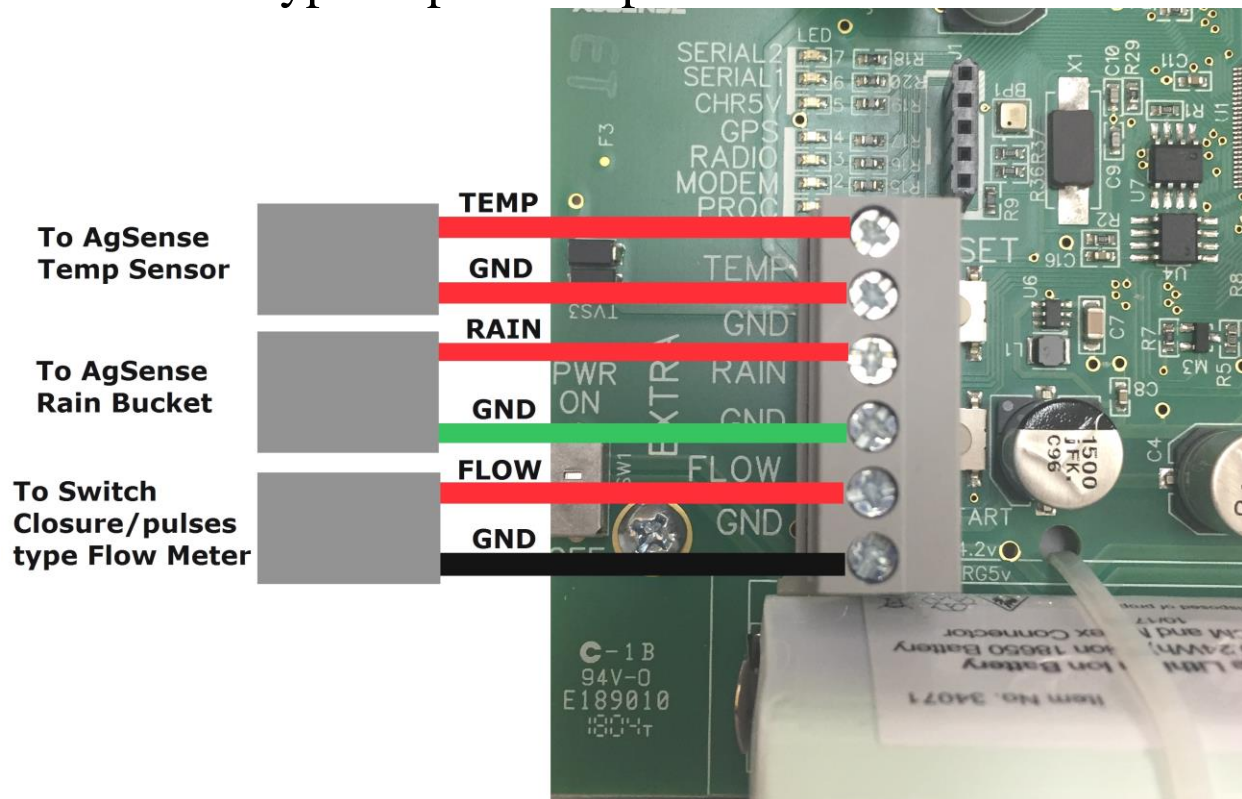
Place the cellular antenna onto the metal plate, and neatly wrap and zip tie any amounts of loose antenna wire and/or communication wire so they do not get damaged.



## Extra Sensor Options:

3 Extra sensor inputs are available on the AgSense board for the following purposes.

1. Extra Temp Sensor Input – if the user would like an additional temp sensor, the AgSense temp sensor can be installed. (measuring ground temp for example)
2. Extra Rain Bucket Input – if the user would like an additional rain sensor, the AgSense rain bucket can be installed.
3. Flow Meter Input – if the user would like to connect to a flow meter that has a simple 2 wire switch closure type of pulse output.



## Warranty Information:

All warranty service provided by the AgSense service center, or an authorized technician.

**Warranty repairs require a Return Merchandise Authorization Number (RMA);  
Have your dealer contact AgSense to obtain this RMA number.**

For the Period of :	AgSense will:
<b>60 Days</b>	Money back Guarantee if not satisfied with product.
<b>2 Years</b>	Repair on any unit that fails due to defect in materials or workmanship. AgSense labor and parts would be provided free of charge during the warranty period. (This does not include dealer labor.)

### What is not covered:

- Service trips to your home to teach you how to use the product.
- Improper installation, delivery or maintenance. If you have an installation problem contact your dealer or installer.
- Failure of product resulting from modification to product or due to unreasonable failure to provide reasonable and necessary maintenance.
- Labor necessary to move device from one location to another.
- Improper installation of battery.
- Failure due to corrosion or water damage.
  - Units installed in direct contact with sprinklers require a tower box or other watertight protection.
- Damage to the product caused by improper power supply voltage, accident, fire, floods or acts of God.
- Damage caused after delivery.

AgSense, LLC  
259 Dakota Ave S  
PO Box 53  
Huron, SD 57350  
605-352-8350  
[www.AgSense.com](http://www.AgSense.com)